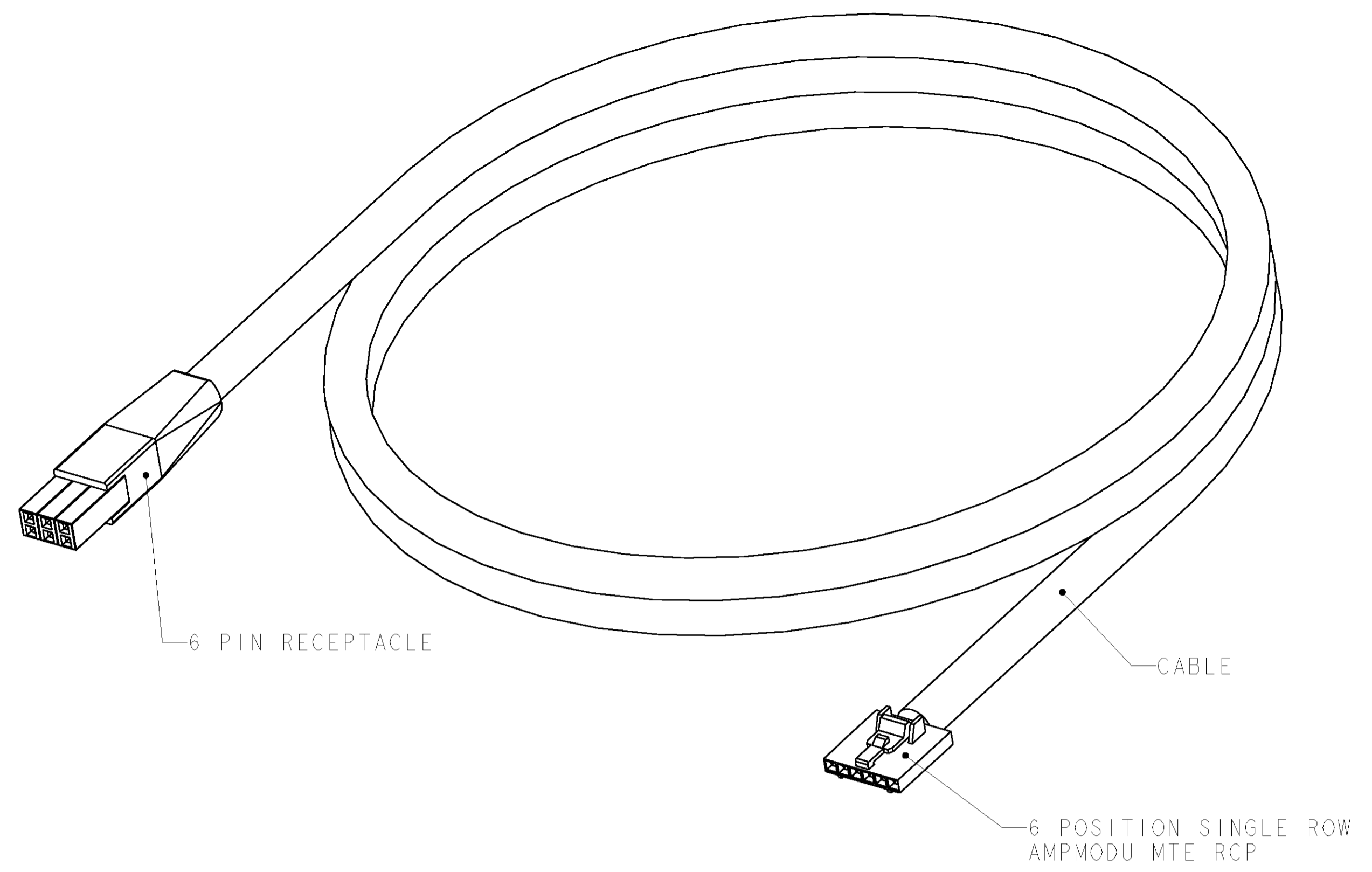
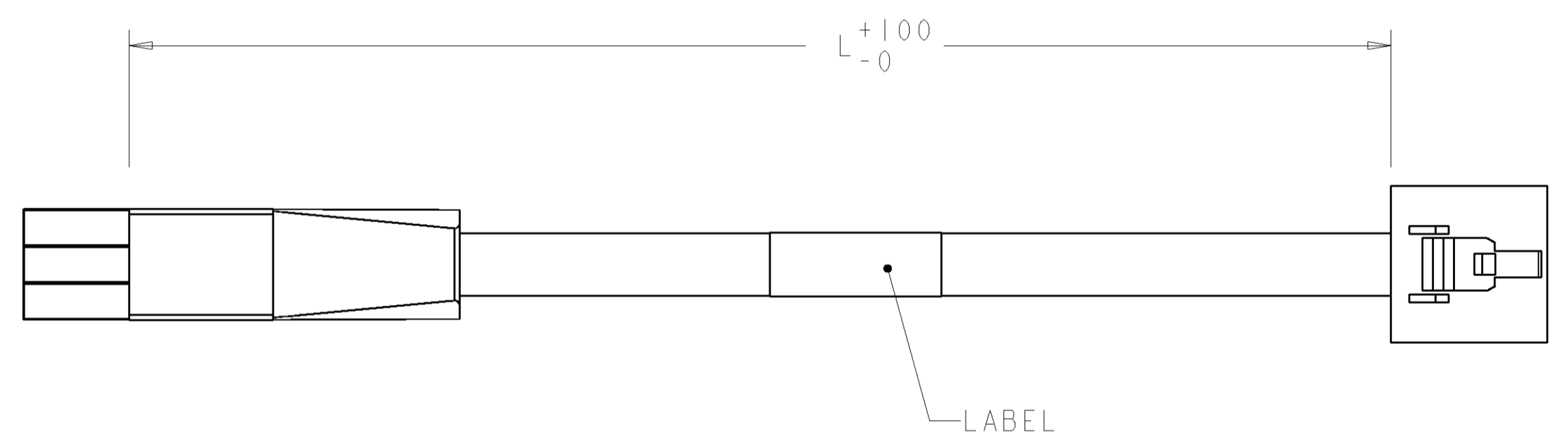
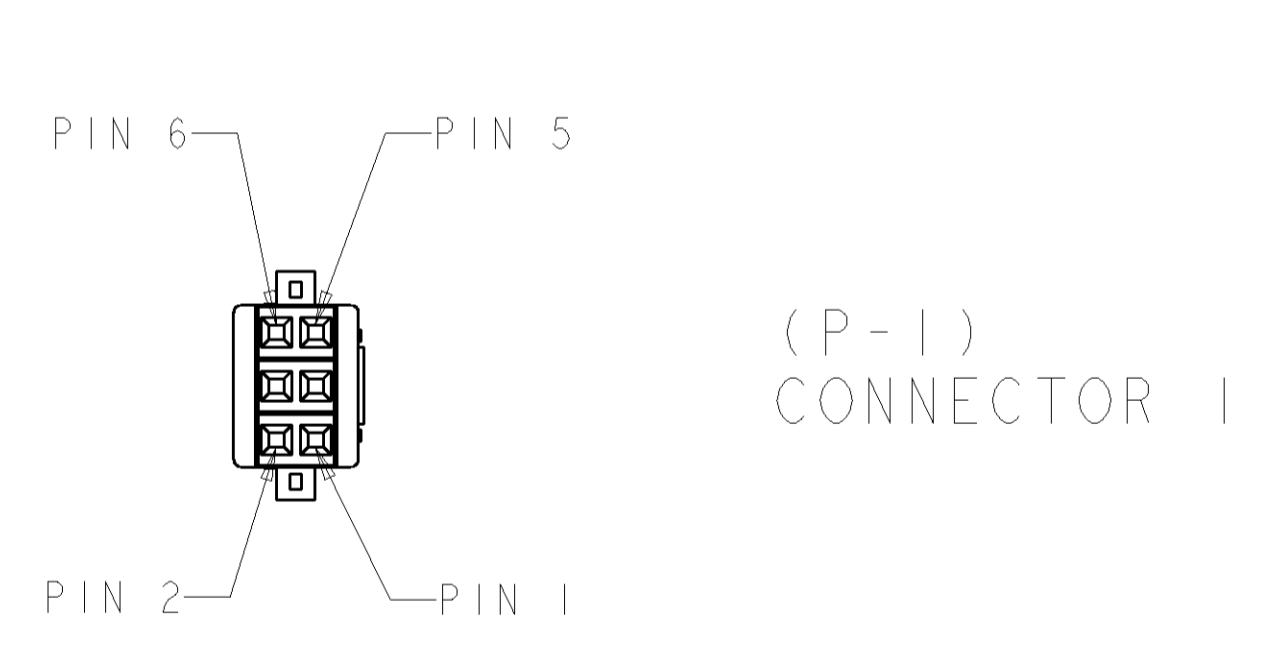


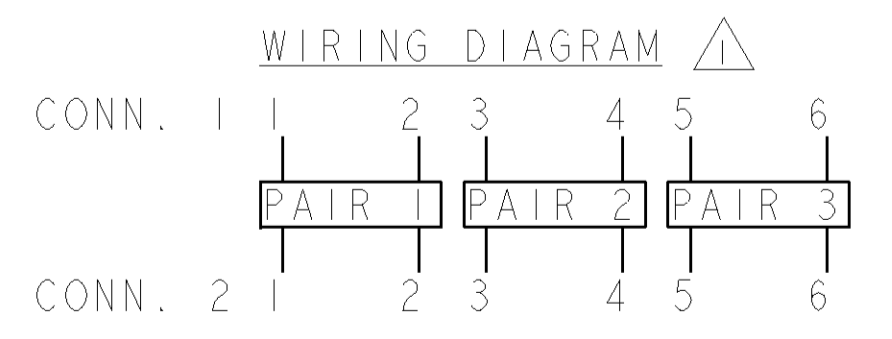
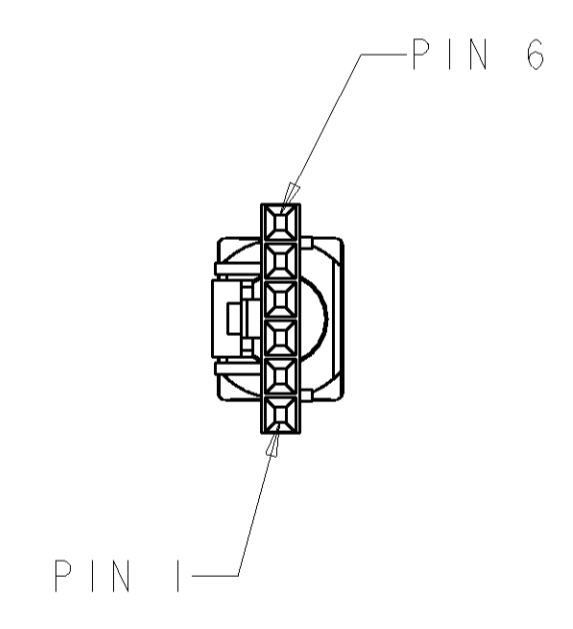
LOC		DIST		REVISIONS			
		P	LTR	DESCRIPTION	DATE	DWN	APVD
1	K			A ESE0-0077-03	01-Sep-03	JG	JG
				B ESE0-0110-03	06-Nov-03	JG	JG
				C ESE0-0122-03	17-Nov-03	JG	AP



⚠ CABLE ASSEMBLY SHALL BE WIRED PER WIRING DIAGRAM.
 ⚠ ABCD IS DATE CODE, AB - YEAR, CD - WEEK.



(P-2)
 CONNECTOR 2



AMPTRAC I/O CABLE 26AWG FH01 (UL) LSZH ABCD
 ⚠

CABLE MARKING

METER	L	PART NO.
15	15000.0	I-1435687-5
10	10000.0	I-1435687-0
5	5000.0 [196.85]	1435687-5
4	4000.0 [157.48]	1435687-4
3	3000.0 [118.11]	1435687-3
2	2000.0 [78.74]	1435687-2
1	1000.0 [39.37]	1435687-1

DIMENSIONS: MM [INCH]		TOLERANCES UNLESS OTHERWISE SPECIFIED: 0 PLC ± 1 PLC ± 2 PLC ± 3 PLC ± 4 PLC ± ANGLES ±		DWN L HALL 13MAY03 ENR L SMITH 14MAY03 APVD P DEPE 14MAY03		tyco Electronics Tyco Electronics AMP Espana S.A. Barcelona, Spain	
MATERIAL - FINISH -		PRODUCT SPEC - APPLICATION SPEC -		NAME AMPTRAC I/O CABLE TO 6-POSITION SINGLE ROW AMPMODU MTE RCPT, LSZH		SIZE CAGE CODE DRAWING NO RESTRICTED TO A 00779 C-1435687 -	
CUSTOMER DRAWING		WEIGHT -		SCALE NTS		SHEET 1 OF 1 REV C	